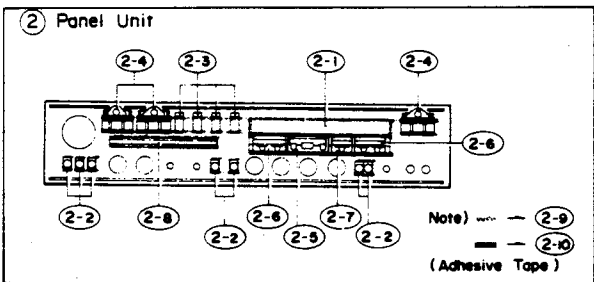
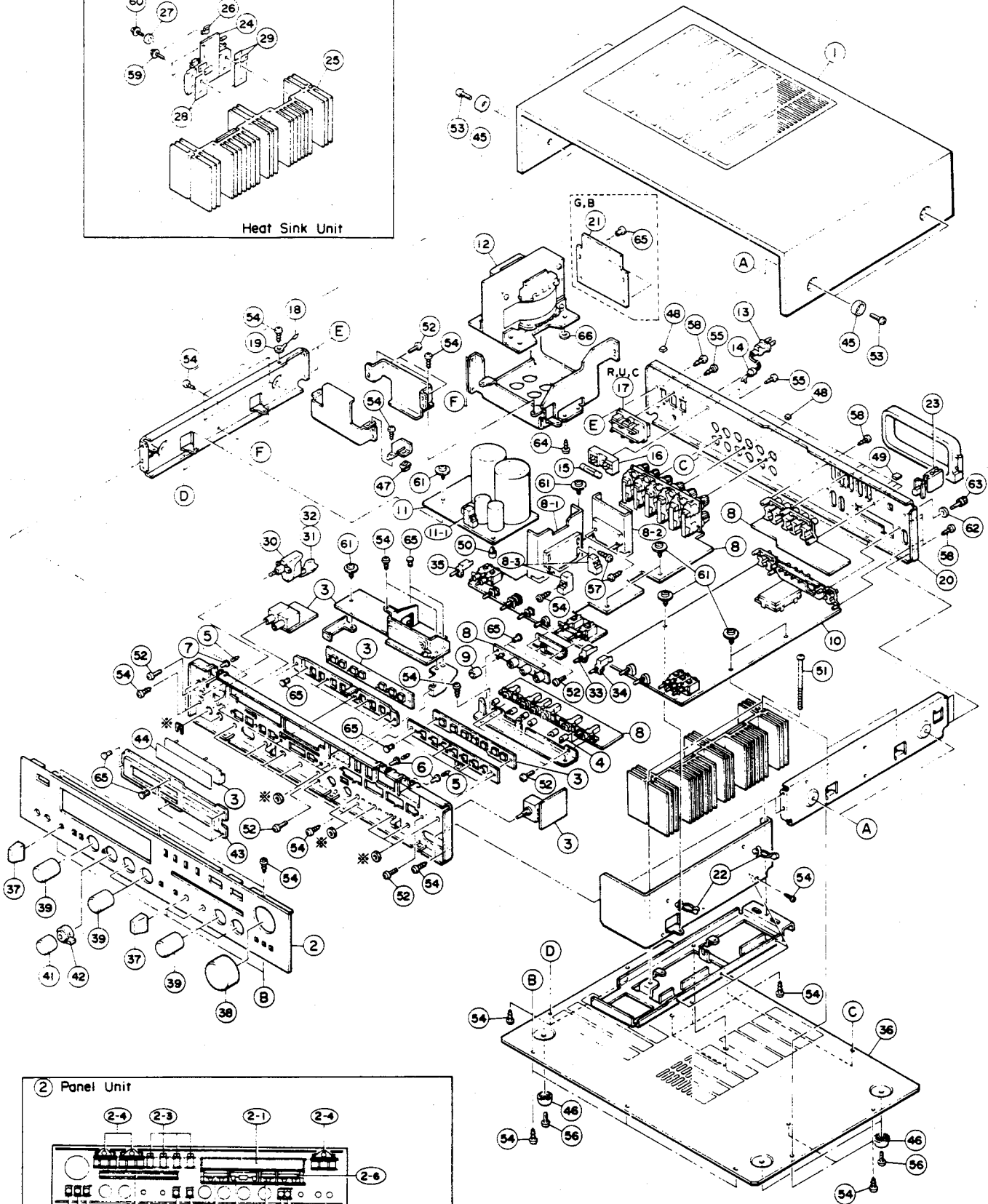
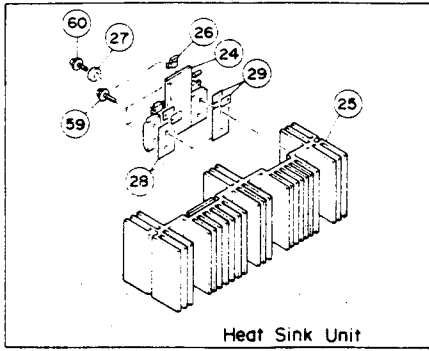


PARTS LIST

R-2000 STEREO RECEIVER

■ CONTENTS	Page
■ EXPLODED VIEW (All Over)	1
■ PARTS LIST (All Over)	2
■ EXPLODED VIEW/PARTS LIST (Except U.S.A and Canadian models)	
● Top Cover & ● Rear Panel	4
■ PARTS LIST (Circuit Board)	
Tuner Circuit Board	5
Main Circuit Board	13
I-amp Circuit Board	19
Control Circuit Board	20
Electrolytic Capacitor Circuit Board	22





* Accessory Parts

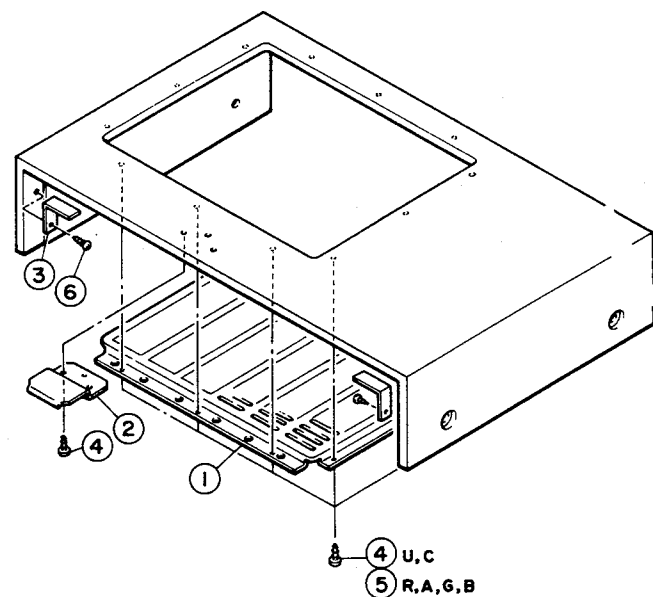
Ref. No.	Part No.		Description	(部 品 名)	Remarks	Common Model	Markets
1	30 00 00	DC 62 75 10	Cabinet	キャビネット			U
"	30 00 00	DC 62 76 10	"	"			R, A, G, B
"	30 00 00	DC 62 83 10	"	"			C
2	30 00 00	NB 60 07 40	Front Panel Unit	パネルユニット			
2-1	30 00 00	CB 60 28 80	Indicated Cover	表示カバー			
2-2	30 00 00	NB 09 39 20	Push Button Assembly	プッシュボタンAss'y		CR-640	
2-3	30 00 00	NB 09 61 10	"	"			
2-4	30 00 00	NB 09 99 30	"	"		R-700 900	
2-5	30 00 00	NB 60 02 60	Tuning Button Assembly	TUボタンAss'y	Seasaw Type	"	
2-6	30 00 00	NB 60 02 70	Push Button Assembly	W "	(2 ranges)	"	
2-7	30 00 00	NB 60 02 80	Button Assembly	ボタンAss'y		"	
2-8	30 00 00	NB 60 16 20	Push Button Assembly	7連Ass'y	(7 ranges)		
2-9	30 00 00	CB 07 41 90	Adhesive Tape (Both face type)	ダブルタックテープ			
2-10	30 00 00	CB 07 42 00	"	"			
3	30 00 00	NA 07 66 40	Control Circuit Board	コントロールシート			R, A
"	30 00 00	NA 07 66 50	"	"			U, C
"	30 00 00	NA 07 66 60	"	"			G, B
4	30 00 00	CB 60 28 90	Bush, Switch	SWブッシュ			
5	30 00 00	JB 00 06 80	Pilot Lamp 14.5V 80mA	パイロットランプリード式	Interchangeable		
"	30 00 00	JB 00 09 20	"	"			
6	30 00 00	CB 09 76 20	Cap, Lamp (Green)	ランプキャップ(緑)			
7	30 00 00	CB 09 76 30	" (Red)	" (赤)			
8	30 00 00	NA 07 67 00	Main Circuit Board	メインシート			R, A
"	30 00 00	NA 07 67 10	"	"			U, C
"	30 00 00	NA 07 67 20	"	"			G, B
8-1	30 00 00	BA 08 05 20	Heat Sink	放熱板			
8-2	30 00 00	BA 08 03 70	"	"			
8-3	30 00 00	BA 07 72 90	"	"		CR-2040	
9	30 00 00	CB 09 75 20	Holder, LED	LEDホルダー			
10	30 00 00	NA 07 67 60	Tuner Circuit Board	チューナーシート			R, U, C
"	30 00 00	NA 07 67 70	"	"			A, B
"	30 00 00	NA 07 67 80	"	"			G
11	30 00 00	NA 07 68 30	Electrolytic Capacitor Circuit Board	ケミコンシート			R, A
"	30 00 00	NA 07 68 40	"	"			U, C
"	30 00 00	NA 07 68 50	"	"			G, B
11-1	30 00 00	BA 07 72 90	Heat Sink	放熱板			
12	30 00 00	GA 64 65 00	Power Transformer	電源トランス			U
"	30 00 00	GA 64 66 00	"	"			C
"	30 00 00	GA 64 67 00	"	"			G
"	30 00 00	GA 64 69 00	"	"			A, B
"	30 00 00	GA 64 68 00	"	"			R
13	30 00 00	MG 00 07 80	Power Cord (Black) 2m 6A 250V	電源コード			R
"	30 00 00	MG 00 08 40	" " " 10A 125V	"			U, C
"	30 00 00	MG 00 09 10	" " " 6A 250V	"			G
"	30 00 00	MG 00 09 20	" (Gray) 2.5m 7.5A "	"			A
"	30 00 00	MG 00 10 00	" (Black) 2 m 6A 300/500V	"			B
14	30 00 00	CB 06 86 30	Cord Stopper SR-3P-4	コードストッパー			U, C
"	30 00 00	CB 07 27 50	" SR-4N-4	"			R, A, G, B
15	30 00 00	KB 00 13 90	Fuse UL 10A 125V	ヒューズ			U, C
16	30 00 00	LB 20 13 00	Fuse Holder	ヒューズホルダー			R, U, A, C
17	30 00 00	LB 60 29 80	AC Outlet (Triple) M7017	ACアウトレット(3連)			R, U
18	30 00 00	LB 60 43 10	" 2.2MΩ	"			C
19	30 00 00	LA 00 02 80	Lug Terminal φ3	アースラグ			U, C

* : New Part (新部品) DESTINATION ABBREVIATIONS R; General, U; U.S.A, C; Canadian, B; British, G; North European, A; Australian

Ref. No.	Part No.		Description	(部 品 名)	Remarks	Common Model	Markets
20	30 00 00	AA 60 62 80	Rear Panel	リヤーパネル			R
"	30 00 00	AA 60 62 90	"	"			U, C
"	30 00 00	AA 60 63 00	"	"			G
"	30 00 00	AA 60 63 10	"	"			A, B
21	30 00 00	CB 60 38 00	Isolation Plate	絶縁板			G, B
22	30 00 00	CB 60 33 40	Crip, Cable	ケーブルクリップ		R-700 900	
23	30 00 00	CB 60 19 70	Holder, Antenna	アンテナホルダー		R-300 ~900	
24	30 00 00	NA 07 58 80	1 Amp. Circuit Board	1アンブシート			R, A, G, B
"	30 00 00	NA 07 58 90	"	"			U, C
25	30 00 00	BA 08 05 10	Heat Sink	放熱板			
26	30 00 00	BB 06 82 80	Transistor Holder	TRブッシャー		CR-2040	
27	30 00 00	CB 07 28 80	Isolation Bush	絶縁ブッシュ		CR-400	
28	30 00 00	iL 00 06 00	Mica Base MT-200	マイカーベース	TR708 : 709		
29	30 00 00	iL 00 02 70	"	"	TR706 : 707		
30	30 00 00	KA 80 24 60	Push Switch (Power) SY10-3 4A/128A	ブッシュSW			A, G, B
"	30 00 00	KA 80 25 50	" SDZIP-A TV-8	"			R, U, C
31	30 00 00	Fi 34 41 00	Ceramic Capacitor MY(DE) 0.01μF	セラコン			R, U, C
"	30 00 00	FR 16 41 00	Metallized Paper Capacitor AC250V "	MPコン			A, G, B
32	30 00 00	CB 07 21 90	Cover for Capacitor, Square-Type	コンデンサーカバー			A, G, B
"	30 00 00	CB 09 52 60	"	"			R, U, C
33	30 00 00	KA 90 19 70	Remote Rotary Switch 6 position	リモートロータリーSW	REC OUT		
34	30 00 00	KA 90 19 90	" 4 "	"	PHONO		
35	30 00 00	KA 90 20 20	" 5 "	"	SPEAKERS		
36	30 00 00	AA 60 62 30	Bottom Cover	ボトムカバー			
37	30 00 00	BA 07 94 60	Knob, Switch	SWツマミ		A-760	
38	30 00 00	BA 08 03 60	" , Volume	VOLツマミ		R-700 900	
39	30 00 00	BA 08 14 70	Knob	ツマミ	Interchangeable		
40	30 00 00	BA 08 01 40	"	"			
41	30 00 00	BA 08 05 30	"	"			
42	30 00 00	BA 08 05 40	Set Lever	セットレバー			
43	30 00 00	NB 60 03 00	Display Panel Assembly	表示パネルAss'y			
44	30 00 00	CB 60 33 10	Masked, LED	LEDマスク			
45	30 00 00	CB 07 95 20	Hole Cap	ホールキャップ		CR-2020	
46	30 00 00	CB 09 86 00	Leg	脚		A-760	
47	30 00 00	CB 08 37 20	Holder, circuit Board	基板ホルダー			
48	30 00 00	CA 07 13 50	Spacer	スペーサー			
49	30 00 00	CA 07 13 80	"	"			
50	30 00 00	CB 09 43 60	" , P.C.B	プリントスペーサー		A-550	
51	30 00 00	EG 05 08 50	Pan Head Screw 5x85 (ZMC2-Y)	尖先鉄ナベ小ネジ			
52	30 00 00	ED 03 00 60	Bind Head Screw 3x6 (")	鉄バインド小ネジ			
53	30 00 00	ED 35 01 20	" 5x12 (")	"			
54	30 00 00	EN 03 00 20	Bind Head Tapping Screw 3x8 (ZMC2-Y)	鉄バインドタッピングネジ	Type-II		
55	30 00 00	EN 33 00 10	" " (FCM3-BI)	"	"		R, U, A, C
56	30 00 00	EN 03 00 60	" 3x10 (ZMC2-Y)	"	"		
57	30 00 00	Ei 03 01 40	" 3x14 (")	"	"		
58	30 00 00	EN 34 00 10	Bind Head Bonding Tapping Screw 3x8 (FCM3-BI)	鉄バインドボンディングタッピングネジ	"		
59	30 00 00	EH 03 01 20	Pan Head Screw, Sems Type 3x12 (ZMC2-Y)	鉄セムスナベ小ネジ	"		
60	30 00 00	EH 02 60 80	" 2,6x8 (")	"	"		
61	30 00 00	EK 03 00 60	B.W Head Tapping Screw 3x8 (φ10)(")	鉄BWヘッドタッピングネジ	Type-II		
62	30 00 00	EV 90 13 60	Flat Washer, Sems Type φ10-φ3,6-t0,8 (FNM3-3g)	鉄セムス平座金			
63	30 00 00	EZ 00 14 00	Screw, GND Terminal 3x13,5 (MFNIII)	アース端子ネジ			
64	30 00 00	EZ 00 11 10	Cup Screw 4x8(φ10)(ZMC2-Y)	カップスクリュー	B-Tyte		
65	30 00 00	CB 06 88 80	Plastic Rivet (Black)	プラスチックリベット			
66	30 00 00	CA 07 13 40	Damper	ダンパー			

* : New Part (新部品)

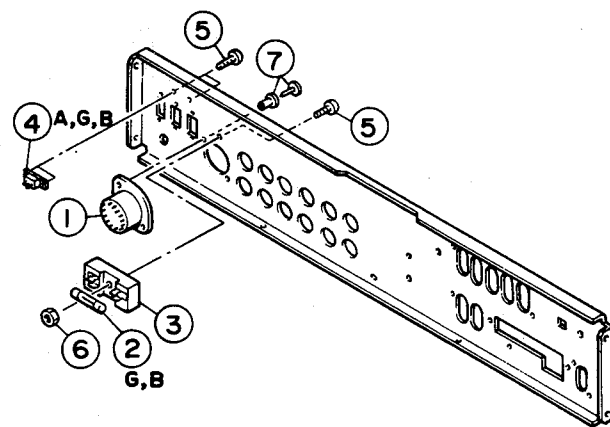
■Top Cover



Ref. No.	Part No.		Description	(部 品 名)	Remarks	Common Model	Markets
			Cabinet				
1	30 00 00	AA 09 67 30	Radiation Grille	放射グリル			
"	30 00 00	CB 09 00 50	"	"			U
2	30 00 00	AA 60 59 50	Metal Fitting (ZMC2-Y)	反り止め金具		R-700 900	R, A, G, B
3	30 00 00	AA 60 77 00	Guard Corner	コーナーガード			
4	30 00 00	EQ 03 11 00	Round Head Wood Screw 3,1 x 10' (ZMC2-Y)	鉄丸木ネジ			
5	30 00 00	EK 33 50 10	B.W Head Tapping Screw 3 x 6 φ8 (FCM3-B2)	鉄BWヘッドタッピンネジ	Type-II		R, A, G, B
6	30 00 00	Ei 03 00 60	Bind Head Tapping Screw 3 x 6 (ZMC2-Y)	鉄バインドタッピンネジ			C

* : New Part (新部品)

■Rear Panel



Ref. No.	Part No.		Description	(部 品 名)	Remarks	Common Model	Markets
			Rear Panel				
1	30 10 00	LB 20 14 80	Voltage Selector	電圧切替器			R
2	30 00 00	KB 00 04 00	Fuse 5,0A 250V	ヒューズ			R, A
"	30 00 00	KB 00 07 90	" T4,0A "	"			G, B
"	30 00 00	KB 00 01 80	" T10A 125V	"			R
3	30 00 00	LB 20 14 70	Fuse Holder 1PHF-M	ヒューズホルダー			G, B
4	30 00 00	LB 00 29 50	Terminal Board, 2P MA0092A	2P中継端子台			A, G, B
5	30 00 00	ED 33 00 80	Bind Head Screw 3 x 8 (FCM3-B2)	鉄バインド小ネジ			A, G, B
6	30 00 00	EV 10 03 00	Hexagonal Nut M3 (ZMC2-Y)	鉄六角ナット			G, B
7	30 00 00	CB 06 88 80	Plastic Rivet (Black)	プラスチックリベット			

* : New Part (新部品)

Ref. No.	Part No.		Description	(部 品 名)	Remarks	Common Model	Markets
*	30 00 00	NA 07 67 30	Tuner Circuit Board	チューナーシート			R, U, C
*	30 00 00	NA 07 67 40	"	"			A, B
*	30 00 00	NA 07 67 50	"	"			G
C101	30 00 00	UW 86 61 00	Electrolytic Capacitor 1μF 50V	ケミコン			
C102	30 00 00	Fi 17 41 00	Ceramic Capacitor 0,01μF 25V	セラコン			
C103	30 00 00	UW 83 71 00	Electrolytic Capacitor 10μF 16V	ケミコン			
C104	30 00 00	UW 83 74 70	" 47μF 16V	"			
C105	30 00 00	FG 41 21 00	Ceramic Capacitor 100PF 50V(K)	セラコン			
C106	30 00 00	UW 56 52 20	Electrolytic Capacitor 0,22μF 50V	ケミコン			
C107	30 00 00	UW 83 71 00	" 10μF 16V	"			
C108	30 00 00	Fi 17 41 00	Ceramic Capacitor 0,01μF 25V	セラコン			
C112	30 00 00	Fi 17 14 70	" 47PF 50V	"			
C113	30 00 00	Fi 17 14 70	" 47PF 50V	"			
C114	30 00 00	Fi 17 41 00	" 0,01μF 25V	"			
C115	30 00 00	Fi 17 41 00	" 0,01μF 25V	"			
C116	30 00 00	UW 83 74 70	Electrolytic Capacitor 47μF 16V	ケミコン			
C117	30 00 00	Fi 17 41 00	Ceramic Capacitor 0,01μF 25V	セラコン			
C118	30 00 00	Fi 17 41 00	Ceramic Capacitor 0,01μF 25V	セラコン			
C119	30 00 00	UW 83 71 00	Electrolytic Capacitor 10μF 16V	ケミコン			
C120	30 00 00	Fi 17 41 00	Ceramic Capacitor 0,01μF 25V	セラコン			
C128	30 00 00	UW 81 84 70	Electrolytic Capacitor 470μF 6,3V	ケミコン			
C129	30 00 00	Fi 17 14 70	Ceramic Capacitor 47PF 50V	セラコン			
C132	30 00 00	UW 83 71 00	Electrolytic Capacitor 10μF 16V	ケミコン			
C133	30 00 00	FS 25 24 70	Semi-Conductive Ceramic Cap. 470PF 50V(J)	フォーミングSAコン			
C134	30 00 00	FS 25 24 70	Semi-Conductive Ceramic Cap. 470PF 50V(J)	フォーミングSAコン			
C135	30 00 00	FS 25 22 70	" 270PF 50V(J)	"			R, U, C
C136	30 00 00	FS 25 22 70	" 270PF 50V(J)	"			
* C137	30 00 00	Fi 17 34 70	Ceramic Capacitor 0,0047μF 50V	セラコン			
C140	30 00 00	FA 81 41 00	Mylar Capacitor 0,01μF 50V(K)	マイラーコン			
C141	30 00 00	UW 86 62 20	Electrolytic Capacitor 2,2μF 50V	ケミコン			
C142	30 00 00	UW 86 62 20	Electrolytic Capacitor 2,2μF 50V	ケミコン			
C143	30 00 00	FG 44 41 00	Ceramic Capacitor 0,01μF 50V(Z)	セラコン			
C144	30 00 00	UW 86 61 00	Electrolytic Capacitor 1μF 50V	ケミコン			
C145	30 00 00	UW 86 61 00	Electrolytic Capacitor 1μF 50V	ケミコン			
C146	30 00 00	UW 83 71 00	" 10μF 16V	"			
C147	30 00 00	UW 56 52 20	" 0,22μF 50V	"			
C148	30 00 00	Fi 17 41 00	Ceramic Capacitor 0,01μF 25V	セラコン			
C149	30 00 00	FS 25 26 80	Semi-Conductive Ceramic Cap. 680PF 50V(J)	フォーミングSAコン			
C150	30 00 00	UW 86 64 70	Electrolytic Capacitor 4,7μF 50V	ケミコン			
* C151	30 00 00	FA 81 32 70	Mylar Capacitor 0,0027μF 50V(K)	マイラーコン			
C152	30 00 00	Fi 17 41 00	Ceramic Capacitor 0,01μF 25V	セラコン			
C153	30 00 00	UW 81 74 70	Electrolytic Capacitor 47μF 6,3V	ケミコン			
* C154	30 00 00	Fi 17 31 00	Ceramic Capacitor 0,001μF 50V	セラコン			
C155	30 00 00	Fi 17 41 00	" 0,01μF 25V	"			
C156	30 00 00	Fi 17 41 00	" 0,01μF 25V	"			
C157	30 00 00	UW 83 71 00	Electrolytic Capacitor 10μF 16V	ケミコン			
C158	30 00 00	Fi 17 41 00	Ceramic Capacitor 0,01μF 25V	セラコン			
C159	30 00 00	Fi 17 41 00	Ceramic Capacitor 0,01μF 25V	セラコン			
C160	30 00 00	Fi 17 14 70	" 47PF 50V	"			
C161	30 00 00	FG 41 13 30	" 33PF 50V(K)	"			
C162	30 00 00	FG 41 14 70	" 47PF 50V(K)	"			
* C163	30 00 00	FA 81 44 70	Mylar Capacitor 0,047μF 50V(K)	マイラーコン			
C164	30 00 00	UW 56 52 20	Electrolytic Capacitor 0,22μF 50V	ケミコン			
C165	30 00 00	FG 41 05 00	Ceramic Capacitor 5PF 50V(K)	セラコン			
C166	30 00 00	Fi 17 41 00	Ceramic Capacitor 0,01μF 25V	"			
C167	30 00 00	FS 25 23 30	Semi-Conductive Ceramic Cap. 330PF 50V(J)	フォーミングSAコン			
C168	30 00 00	UW 83 71 00	Electrolytic Capacitor 10μF 16V	ケミコン			
C169	30 00 00	Fi 17 41 00	Ceramic Capacitor 0,01μF 25V	セラコン			
C170	30 00 00	UW 86 63 30	Electrolytic Capacitor 3,3μF 50V	ケミコン			
C171	30 00 00	UW 86 54 70	" 0,47μF 50V	"			
C172	30 00 00	Fi 17 41 00	Ceramic Capacitor 0,01μF 25V	セラコン			
C173	30 00 00	Fi 17 41 00	Ceramic Capacitor 0,01μF 25V	セラコン			

* : New Part (新部品)

Ref. No.	Part No.				Description			(部 品 名)	Remarks	Common Model	Markets
C174	30 00 00	UW	83 71 00	Electrolytic Capacitor	10 μ F	16V	ケミコン				
C175	30 00 00	Fi	22 41 00	Ceramic Capacitor	0,01 μ F	25V	セラコン				
C176	30 00 00	FA	81 41 00	Mylar Capacitor	0,01 μ F	50V(K)	マイラーコン				
C177	30 00 00	FS	25 25 60	Semi-Conductive Ceramic Cap	560PF	50V(J)	フォーミングSAコン				
C178	30 00 00	Fi	22 41 00	Ceramic Capacitor	0,01 μ F	25V	セラコン				
C179	30 00 00	UW	86 62 20	Electrolytic Capacitor	2,2 μ F	50V	ケミコン				
C180 C181	30 00 00	Fi	22 41 00	Ceramic Capacitor	0,01 μ F	25V	セラコン				
C182 C183	30 00 00	UW	83 71 00	Electrolytic Capacitor	10 μ F	16V	ケミコン				
C184	30 00 00	UW	81 81 00	"	100 μ F	6,3V	"				
C185	30 00 00	UW	83 71 00	"	10 μ F	16V	"				
C186	30 00 00	Fi	22 42 20	Ceramic Capacitor	0,022 μ F	25V	セラコン				
C187 C188	30 00 00	UW	56 52 20	Electrolytic Capacitor	0,22 μ F	50V	ケミコン				
C189	30 00 00	UW	86 64 70	"	4,7 μ F	50V	"				
C190	30 00 00	FG	41 31 00	Ceramic Capacitor	0,001 μ F	50V(K)	セラコン				
C191	30 00 00	Fi	22 32 20	"	0,0022 μ F	50V	"				
C192	30 00 00	FA	85 44 70	Mylar Capacitor	0,047 μ F	50V(J)	マイラーコン				
C193	30 00 00	FA	85 41 50	"	0,015 μ F	50V(J)	"				
C194	30 00 00	FG	41 12 20	Ceramic Capacitor	22PF	50V(K)	セラコン				
C195	30 00 00	Fi	22 32 20	"	0,0022 μ F	50V	"				
C196	30 00 00	UW	81 74 70	Electrolytic Capacitor	47 μ F	6,3V	ケミコン				
C197	30 00 00	UW	83 71 00	"	10 μ F	16V	"				
C198	30 00 00	UW	86 61 00	"	1 μ F	50V	"				
C199	30 00 00	UW	86 54 70	"	0,47 μ F	50V	"				
C200	30 00 00	UW	83 71 00	"	10 μ F	16V	"				
C201	30 00 00	Fi	22 41 00	Ceramic Capacitor	0,01 μ F	25V	セラコン				
C202	30 00 00	UW	86 64 70	Electrolytic Capacitor	4,7 μ F	50V	ケミコン				
C203	30 00 00	FV	36 61 00	"	1 μ F	50V	"	Nonpolar type			
C204	30 00 00	Fi	22 41 00	Ceramic Capacitor	0,01 μ F	25V	セラコン				
C205	30 00 00	UW	86 62 20	Electrolytic Capacitor	2,2 μ F	50V	ケミコン				
C206	30 00 00	UW	83 74 70	"	47 μ F	16V	"				
C207 C208	30 00 00	UW	81 74 70	"	47 μ F	6,3V	"				
C209 C210	30 00 00	FG	41 33 30	Ceramic Capacitor	0,0033 μ F	50V(K)	セラコン				
C211 C212	30 00 00	UW	86 61 00	Electrolytic Capacitor	1 μ F	50V	ケミコン				
C213 C214	30 00 00	FG	41 22 20	Ceramic Capacitor	220PF	50V(K)	セラコン				
C215 C216	30 00 00	FA	81 31 00	Mylar Capacitor	0,001 μ F	50V(K)	マイラーコン				
C217 C218	30 00 00	UW	86 62 20	Electrolytic Capacitor	2,2 μ F	50V	ケミコン				
C219 C220	30 00 00	FG	41 21 20	Ceramic Capacitor	120PF	50V(K)	セラコン				
C221 C222	30 00 00	FG	41 21 00	"	100PF	50V(K)	"				
C223 C224	30 00 00	FG	41 33 30	"	0,0033 μ F	50V(K)	"				
C225 C226	30 00 00	FG	41 31 00	"	0,001 μ F	50V(K)	"				
C227 C228	30 00 00	UW	81 82 20	Electrolytic Capacitor	220 μ F	6,3V	ケミコン				
C229 C230	30 00 00	FG	41 18 20	Ceramic Capacitor	82PF	50V(K)	セラコン				
C231 C232	30 00 00	FG	41 22 70	"	270PF	50V(K)	"				
C233 C234	30 00 00	FT	36 42 40	Polypropylene Film Capacitor	0,024 μ F	50V(G)	PSコン				
C235 C236	30 00 00	FT	36 36 80	"	0,0068 μ F	50V(G)	"				
C237 C238	30 00 00	FG	41 31 00	Ceramic Capacitor	0,001 μ F	50V(K)	セラコン				
C239 C240	30 00 00	FA	15 35 10	Mylar Capacitor	0,0051 μ F	50V,MS(J)	マイラーコン				
C241 C242	30 00 00	UW	86 62 20	Electrolytic Capacitor	2,2 μ F	50V	ケミコン				
C243	30 00 00	FG	44 42 20	Ceramic Capacitor	0,022 μ F	50V(Z)	セラコン				
C244	30 00 00	FA	81 42 00	Mylar Capacitor	0,022 μ F	50V(K)	"				
C245	30 00 00	UW	86 61 00	Electrolytic Capacitor	1 μ F	50V	ケミコン				
C246 C247	30 00 00	UW	84 74 70	"	47 μ F	25V	"				
C248	30 00 00	UW	86 61 00	"	1 μ F	50V	"				

* : New Part (新部品)

R-2000

Ref. No.	Part No.		Description			(部 品 名)	Remarks	Common Model	Markets
C249 C250	30 00 00	UW 86 63 30	Electrolytic Capacitor	3,3 μ F	50V	ケミコン			
* C251 C252	30 00 00	UA 55 51 50	Mylar Capacitor	0,15 μ F	50V(J)	TFコン			
* C253 C254	30 00 00	FA 85 33 90	"	0,0039 μ F	50V(J)	マイラーコン			
C255 C256	30 00 00	UW 86 62 00	Electrolytic Capacitor	2,2 μ F	50V	ケミコン			
C257 C258	30 00 00	UW 81 81 00	"	100 μ F	6,3V	"			
C259 C260	30 00 00	FG 41 11 00	Ceramic Capacitor	10PF	50V(K)	セラコン			
C261 C262	30 00 00	FG 41 13 30	"	33PF	"	"			
C263 C264	30 00 00	FG 41 22 70	"	270PF	"	"			
C265 C266	30 00 00	FA 81 32 20	Mylar Capacitor	0,0022 μ F	50V(K)	マイラーコン			
C267 C268	30 00 00	UW 85 74 70	Electrolytic Capacitor	47 μ F	35V	ケミコン			
C269 C270	30 00 00	UW 86 61 00	"	1 μ F	50V	"			
VC101 ~103	30 00 00	FY 00 01 10	Trimmer Capacitor TRC-IT8X10		8P	トリマーコン			
T101	30 00 00	GE 10 02 60	FM IF Coil			FM IFコイル			
T102	30 00 00	GE 10 02 80	FM Discriminator Coil			FMディスクリコイル	Inter- changeable		
"	30 00 00	GE 10 03 30	"			"			
* T103 T104	30 00 00	GE 20 03 50	MPX Coil			MPXコイル			
* T105 T106	30 00 00	GE 20 03 60	"			"			
T107 T108	30 00 00	GE 20 03 20	MPX Band Pass Filter	19KHz		MPXバンドパスフィルター			
T109	30 00 00	GE 10 05 30	AM ANTENNA Coil			AM ANTコイル			
T110	30 00 00	GE 10 03 40	AM IFT Coil	450KHz		AM IFTコイル			
* T111	30 00 00	GE 10 04 90	AM OSC Coil			AM OSCコイル			
L101	30 00 00	GE 30 04 30	Inductor	220 μ H		円筒形インダクター			
L102 L103	30 00 00	GE 30 04 50	"	1mH		"			
CF101 ~105	30 00 00	GG 00 05 40	Ceramic Filter	CFM-107S-11U		セラミックフィルター			
CF106	30 00 00	GG 00 04 20	AM Discriminator	CDA450A		AMセラミックディスクリ			
R101	30 00 00	HJ 35 54 70	Carbon-Resistor RD25 SM-8	470 Ω		カーボン抵抗			
R102	30 00 00	HJ 35 82 20	"	220K Ω		"			
R103 R104	30 00 00	HJ 35 64 70	"	4,7K Ω		"			
R105	30 00 00	HJ 35 74 70	"	47K Ω		"			
R106	30 00 00	HJ 35 64 70	"	4,7K Ω		"			
R107	30 00 00	HJ 35 82 20	"	220K Ω		"			
R108	30 00 00	HJ 35 81 50	"	150K Ω		"			
R109	30 00 00	HJ 35 81 80	"	180K Ω		"			
R110	30 00 00	HJ 35 82 20	"	220K Ω		"			
R111	30 00 00	HJ 35 51 00	"	100 Ω		"			
R112	30 00 00	HJ 35 71 20	"	12K Ω		"			
R113	30 00 00	HJ 35 71 00	"	10K Ω		"			
R114	30 00 00	HJ 35 52 20	"	220 Ω		"			
R115	30 00 00	HJ 35 54 70	"	470 Ω		"			
R116	30 00 00	HJ 35 52 20	"	220 Ω		"			
R117 R118	30 00 00	HJ 35 54 70	"	470 Ω		"			
R119	30 00 00	HJ 35 52 20	"	220 Ω		"			
R120	30 00 00	HJ 35 83 30	"	330K Ω		"			
R121	30 00 00	HJ 35 52 20	"	220 Ω		"			
R122 ~124	30 00 00	HJ 35 54 70	"	470 Ω		"			
R125 R126	30 00 00	HJ 35 52 20	"	220 Ω		"			
R127	30 00 00	HJ 35 53 30	"	330 Ω		"			
R128 R129	30 00 00	HJ 35 52 20	"	220 Ω		"			

* : New Part (新部品)

Ref. No.	Part No.		Description	(部 品 名)	Remarks	Common Model	Markets
R130	30 00 00	HJ 35 66 80	Carbon Resistor RD25 SM-8	6.8K Ω	カーボン抵抗		
R131	30 00 00	HJ 35 52 20	"	220 Ω	"		
R132 R133	30 00 00	HJ 35 66 80	"	6.8K Ω	"		
R134	30 00 00	HJ 35 71 20	"	12K Ω	"		G
"	30 00 00	HJ 35 72 20	"	22K Ω	"		R, U, A, C, B
R135 R136	30 00 00	HJ 35 74 70	"	47K Ω	"		
R137 R138	30 00 00	HJ 35 71 00	"	10K Ω	"		
R139 R140	30 00 00	HJ 35 73 90	"	39K Ω	"		
R141 R142	30 00 00	HJ 35 71 00	"	10K Ω	"		
R143 R144	30 00 00	HJ 35 81 00	"	100K Ω	"		
R145 R146	30 00 00	HJ 35 42 20	"	22 Ω	"		
R147 R148	30 00 00	HJ 35 64 70	"	4.7K Ω	"		
R149 R150	30 00 00	HJ 35 62 20	"	2.2K Ω	"		
R151 -154	30 00 00	HJ 35 71 00	"	10K Ω	"		
R155	30 00 00	HJ 35 51 00	"	100 Ω	"		
R156	30 00 00	HJ 35 82 20	"	220K Ω	"		
R157	30 00 00	HJ 35 61 20	"	1.2K Ω	"		
R158	30 00 00	HJ 35 72 20	"	22K Ω	"		
R159	30 00 00	HJ 35 61 00	"	1K Ω	"		
R160	30 00 00	HJ 35 73 30	"	33K Ω	"		
R161	30 00 00	HJ 35 72 20	"	22K Ω	"		
R162	30 00 00	HU 57 71 50	Metal Film Resistor	15K Ω	金属皮膜抵抗		
R163	30 00 00	HJ 35 72 20	Carbon Resistor RD25 SM8	22K Ω	カーボン抵抗		
R164	30 00 00	HJ 35 81 00	"	100K Ω	"		
R165	30 00 00	HJ 35 61 00	"	1K Ω	"		
R166	30 00 00	HJ 35 74 70	"	47K Ω	"		
"	30 00 00	HJ 35 81 00	"	100K Ω	"		G
R167	30 00 00	HJ 35 81 00	"	100K Ω	"		R, U, A, C, B
R168	30 00 00	HJ 35 61 00	"	1K Ω	"		
R169	30 00 00	HJ 35 44 70	"	47 Ω	"		
R170	30 00 00	HJ 35 74 70	"	47K Ω	"		
R171	30 00 00	HJ 35 62 20	"	2.2K Ω	"		
R172	30 00 00	HJ 35 52 20	"	220 Ω	"		
R173	30 00 00	HJ 35 71 00	"	10K Ω	"		
R174	30 00 00	HJ 35 73 90	"	39K Ω	"		
R175 R176	30 00 00	HJ 35 72 20	"	22K Ω	"		
R177	30 00 00	HJ 35 81 00	"	100K Ω	"		
R178 R179	30 00 00	HJ 35 71 00	"	10K Ω	"		
R180	30 00 00	HJ 35 72 20	"	22K Ω	"		
R181 R182	30 00 00	HJ 35 54 70	"	470 Ω	"		
R183	30 00 00	HJ 35 71 00	"	10K Ω	"		
R184	30 00 00	HJ 35 81 20	"	120K Ω	"		
R185	30 00 00	HJ 35 81 00	"	100K Ω	"		
R186 R187	30 00 00	HJ 35 74 70	"	47K Ω	"		
R188	30 00 00	HJ 35 61 00	"	1K Ω	"		
R189	30 00 00	HJ 35 83 30	"	330K Ω	"		
R190	30 00 00	HJ 35 74 70	"	47K Ω	"		
R191	30 00 00	HJ 35 72 20	"	22K Ω	"		
R192	30 00 00	HJ 35 52 20	"	220 Ω	"		
R193	30 00 00	HJ 35 72 20	"	22K Ω	"		
R194	30 00 00	HJ 35 61 00	"	1K Ω	"		
R195	30 00 00	HJ 35 84 70	"	470K Ω	"		
R196	30 00 00	HJ 35 52 20	"	220 Ω	"		

* : New Part (新部品)

R-2000

Ref. No.	Part No.			Description	(部 品 名)	Remarks	Common Model	Markets
R197	30 00 00	HJ	35 63 30	Carbon Resistor RD25 SM-8	3,3KΩ	カーボン抵抗		
R198 ~200	30 00 00	HJ	35 71 00	"	10KΩ	"		
R201	30 00 00	HJ	35 74 70	"	47KΩ	"		
R202	30 00 00	HJ	35 81 00	"	100KΩ	"		
R203	30 00 00	HJ	35 72 20	"	22KΩ	"		
R204	30 00 00	HJ	35 84 70	"	470KΩ	"		
R205	30 00 00	HJ	35 82 20	"	220KΩ	"		
R206	30 00 00	HJ	35 83 90	"	390KΩ	"		
R207 R208	30 00 00	HJ	35 74 70	"	47KΩ	"		
R209	30 00 00	HJ	35 71 00	"	10KΩ	"		
R210 ~213	30 00 00	HJ	35 74 70	"	47KΩ	"		
R214	30 00 00	HJ	35 61 00	"	1KΩ	"		
R215	30 00 00	HJ	35 74 70	"	47KΩ	"		
R216	30 00 00	HJ	35 71 00	"	10KΩ	"		
R217	30 00 00	HJ	35 81 00	"	100KΩ	"		
R218	30 00 00	HJ	35 71 00	"	10KΩ	"		
R219	30 00 00	HJ	35 84 70	"	470KΩ	"		
R220	30 00 00	HJ	35 81 00	"	100KΩ	"		
R221 R222	30 00 00	HJ	35 61 00	"	1KΩ	"		
R223 R224	30 00 00	HJ	35 74 70	"	47KΩ	"		
R225	30 00 00	HJ	35 63 30	"	3,3KΩ	"		
R226	30 00 00	HJ	35 72 20	"	22KΩ	"		
R227	30 00 00	HJ	35 73 30	"	33KΩ	"		
R228	30 00 00	HJ	35 81 00	"	100KΩ	"		
R229	30 00 00	HJ	35 61 80	"	1,8KΩ	"		
R230	30 00 00	HJ	35 62 70	"	2,7KΩ	"		
R231 R232	30 00 00	HJ	35 74 70	"	47KΩ	"		
R233	30 00 00	HJ	35 82 20	"	220KΩ	"		
R234	30 00 00	HJ	35 84 70	"	470KΩ	"		
R235	30 00 00	HJ	35 74 70	"	47KΩ	"		
R236 R237	30 00 00	HJ	35 71 00	"	10KΩ	"		
R238 R239	30 00 00	HJ	35 61 00	"	1KΩ	"		
R240 R241	30 00 00	HJ	35 81 00	"	100KΩ	"		
R242	30 00 00	HJ	35 42 20	"	22Ω	"		
R243	30 00 00	HJ	35 74 70	"	47KΩ	"		
R244	30 00 00	HJ	35 71 00	"	10KΩ	"		
R245	30 00 00	HJ	35 81 00	"	100KΩ	"		
R246	30 00 00	HJ	35 74 70	"	47KΩ	"		
R247	30 00 00	HJ	35 63 30	"	3,3KΩ	"		
R248	30 00 00	HJ	35 81 00	"	100KΩ	"		
R249	30 00 00	HJ	35 74 70	"	47KΩ	"		
R250	30 00 00	HJ	35 53 90	"	390Ω	"		
R251	30 00 00	HJ	35 81 00	"	100KΩ	"		
R252	30 00 00	HJ	35 71 00	"	10KΩ	"		
R253 R254	30 00 00	HJ	35 92 20	"	2,2MΩ	"		
R255	30 00 00	HJ	35 84 70	"	470KΩ	"		
R257 R258	30 00 00	HJ	35 51 00	"	100Ω	"		
R259 R260	30 00 00	HJ	35 64 70	"	4,7KΩ	"		
R261 R262	30 00 00	HJ	35 72 20	"	22KΩ	"		
R263 R264	30 00 00	HJ	35 63 90	"	3,9KΩ	"		
R265 R266	30 00 00	HJ	35 41 00	"	10Ω	"		
R267 R268	30 00 00	HJ	35 84 70	"	470KΩ	"		

* : New Part (新部品)

Ref. No.	Part No.			Description	(部 品 名)	Remarks	Common Model	Markets
R269 ~272	30 00 00	HJ	35 51 20	Carbon Resistor RD25 SM-8	120Ω	カーボン抵抗		
R273 R274	30 00 00	HJ	35 54 70	"	470Ω	"		
R275 R276	30 00 00	HJ	35 74 70	"	47KΩ	"		
R277 ~280	30 00 00	HJ	35 81 00	"	100KΩ	"		
R281 R282	30 00 00	HJ	35 51 00	"	100Ω	"		
R283 R284	30 00 00	HJ	35 81 00	"	100KΩ	"		
R285 ~288	30 00 00	HJ	35 71 00	"	10KΩ	"		
R289 R290	30 00 00	HJ	35 52 70	"	270Ω	"		
R291 R292	30 00 00	HJ	35 66 80	"	6.8KΩ	"		
R293 R294	30 00 00	HJ	35 55 60	"	560Ω	"		
R295 R296	30 00 00	HK	35 56 20	"	620Ω	"		
R297 R298	30 00 00	HJ	35 52 20	"	220Ω	"		
R299 ~302	30 00 00	HJ	35 82 70	"	270KΩ	"		
R303 R304	30 00 00	HK	56 71 10	"	11KΩ	"		
R305 R306	30 00 00	HJ	35 61 50	"	1.5KΩ	"		
R307 R308	30 00 00	HJ	35 54 70	"	470Ω	"		
R309 R310	30 00 00	HJ	35 74 70	"	47KΩ	"		
R311 R312	30 00 00	HJ	35 61 00	"	1KΩ	"		
R313 R314	30 00 00	HJ	35 72 70	"	27KΩ	"		
R315 R316	30 00 00	HJ	35 61 80	"	1.8KΩ	"		
R317 R318	30 00 00	HJ	35 66 80	"	6.8KΩ	"		
R319 R320	30 00 00	HJ	35 75 60	"	56KΩ	"		
R321 R322	30 00 00	HJ	35 83 30	"	330KΩ	"		
R323 R324	30 00 00	HJ	35 56 80	"	680Ω	"		
R325 R326	30 00 00	HJ	35 65 60	"	5.6KΩ	"		
R327 R328	30 00 00	HJ	35 61 50	"	1.5KΩ	"		
R329 R330	30 00 00	HJ	35 54 70	"	470Ω	"		
R331 R332	30 00 00	HJ	35 64 70	"	4.7KΩ	"		
VR101	30 00 00	HT	37 00 40	Semi Variable Resistor EVN-K4A	B500Ω	半固定VR		
"	30 00 00	HT	77 00 20	" KVSF8-7PNFX	B500Ω	"	Inter- changeable	
VR102	30 00 00	HT	37 00 10	" EVN-K4A	B1KΩ	"	Inter- changeable	
"	30 00 00	HT	77 00 30	" KVSF8-7PNFX	B1KΩ	"	Inter- changeable	
VR103 VR104	30 00 00	HT	37 00 80	" EVN-K4A	B20KΩ	"	Inter- changeable	
"	30 00 00	HT	77 00 70	" KVSF8-7PNFX	B20KΩ	"	Inter- changeable	
VR105	30 00 00	HT	37 00 20	" EVN-K4A	B10KΩ	"	Inter- changeable	
"	30 00 00	HT	77 00 60	" KVSF8-7PNFX	B10KΩ	"	Inter- changeable	
VR106	30 00 00	HT	37 00 30	" EVN-K4A	B100KΩ	"	Inter- changeable	
"	30 00 00	HT	77 00 90	" KVSF8-7PNFX	B100KΩ	"	Inter- changeable	
VR107	30 00 00	HT	37 00 80	" EVN-K4A	B20KΩ	"	Inter- changeable	
"	30 00 00	HT	77 00 70	" KVSF8-7PNFX	B20KΩ	"	Inter- changeable	
VR108	30 00 00	HT	37 00 20	" EVN-K4A	B10KΩ	"	Inter- changeable	
"	30 00 00	HT	77 00 60	" KVSF8-7PNFX	B10KΩ	"	Inter- changeable	
*VR109	30 00 00	HS	41 13 10	Variable Resistor	20KMN×2	VR 16形	BALANCE LOUDNESS	
*VR110	30 00 00	HS	41 13 20	"	20K×2	"		
Tr101 ~105	30 00 00	iC	17 40 00	Transistor	2SC1740(RS)	トランジスタ	Inter- changeable	
"	30 00 00	iC	23 20 10	"	2SC2320(E,F)	"	Inter- changeable	
Tr106 Tr107	30 00 00	iC	05 35 00	"	2SC535(A,B,C)	"		
Tr108 Tr109	30 00 00	iC	17 40 00	"	2SC1740(R,S)	"	Inter- changeable	
"	30 00 00	iC	23 20 10	"	2SC2320(E,F)	"	Inter- changeable	
Tr110	30 00 00	iA	09 99 10	"	2SA999(E,F)	"		
Tr111 Tr112	30 00 00	iD	06 55 00	"	2SD655(D,E,F)	"		

* : New Part (新部品)

Ref. No.	Part No.			Description	(部 品 名)	Remarks	Common Model	Markets
Tr113	30 00 00	iE	00 00 90	FET	2SK19(GR)	FET		
Tr114 Tr115	30 00 00	iC	17 42 00	Transistor	2SC1740(R,S)	トランジスタ	Inter- changeable	
"	30 00 00	iC	23 20 10	"	2SC2320(E,F)	"		
Tr116	30 00 00	iA	09 99 10	"	2SA999(E,F)	"		
"	30 00 00	iA	09 33 00	"	2SA933(Q,R)	"		
Tr117	30 00 00	iC	17 40 00	"	2SC1740(R,S)	"		
"	30 00 00	iC	23 20 10	"	2SC2320(E,F)	"		
Tr118	30 00 00	iA	09 99 10	"	2SA999(E,F)	"		
"	30 00 00	iA	09 33 00	"	2SA933(Q,R)	"		
Tr119 ~122	30 00 00	iC	17 40 00	"	2SC1740(R,S)	"		
"	30 00 00	iC	23 20 10	"	2SC2320(E,F)	"		
Tr123 Tr124	30 00 00	iA	09 99 10	"	2SA999(E,F)	"		
"	30 00 00	iA	09 33 00	"	2SA933(G,R)	"		
Tr125 ~129	30 00 00	iC	17 40 00	"	2SC1740(R,S)	"		
"	30 00 00	iC	23 20 10	"	2SC2320(E,F)	"		
Tr130	30 00 00	iA	09 99 10	"	2SA999(E,F)	"		
"	30 00 00	iA	09 33 00	"	2SA933(A,R)	"		
Tr131	30 00 00	iC	17 40 00	"	2SC1740(R,S)	"		
"	30 00 00	iC	23 20 10	"	2SC2320(E,F)	"		
Tr132	30 00 00	iA	09 99 10	"	2SA999(E,F)	"		
"	30 00 00	iA	09 33 00	"	2SA933(Q,R)	"		
Tr133	30 00 00	iC	17 40 00	"	2SC1740(R,S)	"		
"	30 00 00	iC	23 20 10	"	2SC2320(E,F)	"		
Tr134	30 00 00	iA	09 99 10	"	2SA999(E,F)	"		
"	30 00 00	iA	09 33 00	"	2SA933(Q,R)	"		
Tr135 Tr136	30 00 00	iC	17 40 00	"	2SC1740(R,S)	"		
"	30 00 00	iC	23 20 10	"	2SC2320(E,F)	"		
Tr137	30 00 00	iD	07 86 00	"	2SD786(Q,R,S)	"		
Tr138	30 00 00	iB	07 37 00	"	2SB737(Q,R,S)	"		
Tr139 ~142	30 00 00	iE	10 24 00	FET	2SK170(Y,GR,BL)	FET		
Tr143	30 00 00	iC	17 40 00	Transistor	2SC1740(R,S)	トランジスタ	Inter- changeable	
"	30 00 00	iC	23 20 10	"	2SC2320(E,F)	"		
D101	30 00 00	iF	00 18 40	Zener Diode	RD3,0EB2	ツェナーダイオード		
D102 D103	30 00 00	iF	00 00 40	Diode	IS1555	ダイオード		
D104	30 00 00	iF	00 18 40	Zener Diode	RD30EB2	ツェナーダイオード		
D105 D106	30 00 00	iF	00 00 40	Diode	IS1555	ダイオード	Inter- changeable	
"	30 00 00	iF	00 06 70	"	IS2473	"		
* D107 D108	30 00 00	iF	00 32 10	Varactor Diode	KV1226(Y)	バラクターダイオード		
D109 ~116	30 00 00	iF	00 00 40	Diode	IS1555	ダイオード	Inter- changeable	
"	30 00 00	iF	00 06 70	"	IS2473	"		
* D117	30 00 00	iF	00 29 80	Zener Diode	HZ11B-IL	ツェナーダイオード		
D119 ~122	30 00 00	iF	00 00 40	Diode	IS1555	ダイオード	Inter- changeable	
"	30 00 00	iF	00 06 70	"	IS2473	"		
IC101 IC102	30 00 00	iG	03 45 00	IC	μPC577H(F)	IC		
IC103	30 00 00	iG	02 92 00	"	LA3380	"		
IC104	30 00 00	iG	00 13 90	"	NJM4558DV	"		
* IC105	30 00 00	iG	04 78 00	"	LA-1245	"		
IC106	30 00 00	iG	03 49 00	"	M5214L	"		
IC107	30 00 00	iG	00 13 90	"	NJM4558DV	"		
IC108	30 00 00	iG	00 17 20	"	TC4069P	"		

* : New Part (新部品)

Ref. No.	Part No.			Description	(部 品 名)	Remarks	Common Model	Markets
IC109	30 00 00	iG	03 21 10	IC LA2300	IC			
IC110	30 00 00	iG	03 96 00	.. NJM4559	"			
IC111 ~114	30 00 00	iG	03 49 00	.. M5214L	"			
*SW101	30 00 00	KA	80 25 80	Push Switch NS	ブッシュSW	3 Multi Action 2 Circuit 2 Point		
*SW102	30 00 00	KA	90 19 80	Remote Rotary Switch S+NS	リモートロータリーSW	6 Circuit 4 Point		
*PJ101	30 00 00	LB	20 18 50	Pin Jack, 2P	2Pピンジャック			
PJ102	30 00 00	LB	40 08 10	.. 4P	4Pピンジャック			
*PK101	30 00 00	PA	00 06 20	FM RF Pack (Front-end) FD236U	FMフロントエンドパック			
	30 00 00	LA	00 27 70	Antenna Terminal 5P T-5662	5Pアンテナ端子板			
	30 00 00	LB	00 30 50	Jumper Socket 5P	ジャンパーソケット			
	30 00 00	LB	20 13 90	Base Pin 2,5mm Pitch 2P TEB2P-SHF	2.5ピッチベースピン			
	30 00 00	LB	30 07 30	.. 3P TEB3P-SHF	"			
	30 00 00	LB	40 05 70	.. 4P TEB4P-SHF	"			
	30 00 00	LB	50 02 50	.. 5P TEB5P-SHF	"			

* : New Part (新部品)

Ref. No.	Part No.			Description	(部 品 名)	Remarks	Common Model	Markets
30 00 00	NA	07 66 70	Main Circuit Board	メインシート				R, A
30 00 00	NA	07 66 80	"	"				U, C
30 00 00	NA	07 66 90	"	"				G, B
C401	30 00 00	FG 44 41 00	Ceramic Capacitor	0,01 μ F 50V (Z)	セラコン			
C402	30 00 00	UW 86 71 00	Electrolytic Capacitor	10 μ F 50V	ケミコン			
C403	30 00 00	UW 83 74 70	"	47 μ F 16V	"			
C404	30 00 00	FG 41 21 00	Ceramic Capacitor	100PF 50V (K)	セラコン			
C405	30 00 00	FA 81 33 30	Mylar Capacitor	0,003 μ F 50V (K)	マイラーコン			
C406	30 00 00	UW 86 64 70	Electrolytic Capacitor	4,7 μ F 50V	ケミコン			
C407	30 00 00	UW 84 72 20	"	22 μ F 25V	"			
C409	30 00 00	FG 44 42 20	Ceramic Capacitor	0,022 μ F 50V (Z)	セラコン			
C411	30 00 00	UA 55 51 20	Mylar Capacitor	0,12 μ F 50V (J)	TFコン			
C412	30 00 00	FA 15 44 30	"	0,043 μ F 50V MS (J)	マイラーコン			
C413	30 00 00	UW 86 62 20	Electrolytic Capacitor	2,2 μ F 50V	ケミコン			
C414	30 00 00	FM 09 72 20	"	22 μ F 16V	B Pケミコン	Nonpolar type		
C415	30 00 00	UW 81 81 00	"	100 μ F 6,3V	ケミコン			
C416	30 00 00	FG 41 18 20	Ceramic Capacitor	82PF 50V (K)	セラコン			
C417	30 00 00	FG 44 42 20	"	0,022 μ F 50V (Z)	"			
C418	30							
C419	30 00 00	UW 81 74 70	Electrolytic Capacitor	47 μ F 6,3V	ケミコン			
C420	30 00 00	FG 41 12 20	Ceramic Capacitor	22PF 50V (K)	セラコン			
C421	30 00 00	UW 81 74 70	Electrolytic Capacitor	47 μ F 6,3V	ケミコン			
C422	30 00 00	FG 41 10 60	Ceramic Capacitor	6PF 50V (K)	セラコン			
C423	30 00 00	UW 86 61 00	Electrolytic Capacitor	1 μ F 50V	ケミコン			
C424	30 00 00	FA 15 46 20	Mylar Capacitor	0,062 μ F 50V MS (J)	マイラーコン			
C425	30 00 00	FA 45 51 20	"	0,12 μ F 50V (J)	"			
C426	30 00 00	FA 45 52 70	"	0,27 μ F "	"			
C427	30 00 00	FA 85 42 20	Mylar Capacitor	0,022 μ F 50V (J)	"			
C428	30 00 00	UA 55 51 50	Mylar Capacitor	0,15 μ F 50V (J)	TFコン			
C429	30 00 00	UA 55 61 00	"	1 μ F "	"			
C430	30 00 00	UW 86 61 00	Electrolytic Capacitor	1 μ F 50V	ケミコン			
C431	30 00 00	FA 81 35 60	Mylar Capacitor	0,0056 μ F 50V (K)	マイラーコン			
C432	30 00 00	UA 55 51 20	"	0,12 μ F 50V (J)	TFコン			
C433	30 00 00	FA 81 41 00	"	0,01 μ F 50V (K)	マイラーコン			
C434	30 00 00	FA 11 43 90	"	0,039 μ F 50V MS (K)	"			
C435	30 00 00	UW 86 62 20	Electrolytic Capacitor	2,2 μ F 50V	ケミコン			
C436	30 00 00	FA 11 43 90	Mylar Capacitor	0,039 μ F 50V MS (K)	マイラーコン			
C437	30 00 00	UW 84 71 00	Electrolytic Capacitor	10 μ F 25V	ケミコン			
C438	30 00 00	UW 86 61 00	Electrolytic Capacitor	1 μ F 50V	ケミコン			
C439	30 00 00	FA 15 35 60	Mylar Capacitor	0,0056 μ F 50V MS (J)	マイラーコン			
C440	30 00 00	FA 15 41 20	"	0,012 μ F 50V MS (J)	"			
C441	30 00 00	UW 85 74 70	Electrolytic Capacitor	47 μ F 35V	ケミコン			
C442	30 00 00	UW 69 74 70	"	47 μ F 100V	"			
C443	30 00 00	FG 41 23 30	Ceramic Capacitor	330PF 50V (K)	セラコン			
C444	30 00 00	FG 41 06 00	"	6PF 50V (K)	"			
C445	30 00 00	FH 61 16 80	"	68PF 500V CH	"			
C446	30 00 00	FG 41 13 90	"	39PF 50V (K)	"			

* : New Part (新部品)

Ref. No.	Part No.				Description	(部 品 名)	Remarks	Common Model	Markets
C482	30 00 00	FG	41 13 90	Ceramic Capacitor	39PF	50V (K)	セラコン		
* C483 ~486	30 00 00	FG	41 11 80	"	18PF	50V (K)	"		
* C487 ~490	30 00 00	FA	81 44 70	Mylar Capacitor	0.047 μ F	50V (K)	マイラーコン		
* C491 ~494	30 00 00	FA	81 32 20	"	0.0022 μ F	50V (K)	"		
C495	30 00 00	UW	85 82 20	Electrolytic Capacitor	220 μ F	35V	ケミコン		
C496	30 00 00	UW	85 72 20	"	22 μ F	35V	"		
C497	30 00 00	UW	84 82 20	"	220 μ F	25V	"		
C498	30 00 00	UW	83 71 00	"	10 μ F	16V	"		
C499	30 00 00	UW	84 72 20	"	22 μ F	25V	"		
C500	30 00 00	UW	85 82 20	Electrolytic Capacitor	220 μ F	35V	"		
C501	30 00 00	UW	83 71 00	"	10 μ F	16V	"		
C502	30 00 00	UW	85 72 20	"	22 μ F	35V	"		
C503	30 00 00	UW	84 82 20	"	220 μ F	25V	"		
C504	30 00 00	UW	84 72 20	"	22 μ F	25V	"		
* C505 C506	30 00 00	UW	69 71 00	"	10 μ F	100V	"		
* C507 C508	30 00 00	FG	44 42 20	Ceramic Capacitor	0.022 μ F	50V (Z)	セラコン		
* C509 C510	30 00 00	FA	81 41 00	Mylar Capacitor	0.01 μ F	50V (K)	マイラーコン		
* C511 C512	30 00 00	FA	81 33 30	"	0.0033 μ F	"	"		
C513	30 00 00	UW	81 81 00	Electrolytic Capacitor	100 μ F	6.3V	ケミコン		
C514	30 00 00	UW	86 64 70	"	4.7 μ F	50V	"		
* C515	30 00 00	UW	83 72 20	"	22 μ F	16V	"		
* C516	30 00 00	FA	81 32 20	Mylar Capacitor	0.0022 μ F	50V (K)	マイラーコン		
* C517	30 00 00	UW	86 71 00	Electrolytic Capacitor	10 μ F	50V	ケミコン		G, B
* C518	30 00 00	UW	81 82 20	"	220 μ F	6.3V	"		G, B
C521 C522	30 00 00	FG	41 21 00	Ceramic Capacitor	100PF	50V (K)	セラコン		
* C523 C524	30 00 00	FG	41 23 30	"	330PF	"	"		
* C525 C526	30 00 00	FG	41 03 00	"	3PF	"	"		
L401 L402	30 00 00	GD	90 03 40	Coil, Output	1.5 μ H		アウトプットコイル		
R401 ~410	30 00 00	HJ	35 92 20	Carbon Resistor RD25 SM-8		2.2M Ω	カーボン抵抗		
R411	30 00 00	HJ	35 73 30	"		33K Ω	"		
R412	30 00 00	HJ	35 71 20	"		12K Ω	"		
R414	30 00 00	HJ	35 74 70	Carbon Resistor RD25 SM-8		47K Ω	カーボン抵抗		
R415	30 00 00	HJ	35 76 80	"		68K Ω	"		
R416	30 00 00	HJ	35 91 00	"		1M Ω	"		
R417	30 00 00	HJ	35 84 70	"		470K Ω	"		
R418	30 00 00	HJ	35 52 20	"		220 Ω	"		
R419	30 00 00	HJ	35 64 70	"		4.7K Ω	"		
R420	30 00 00	HJ	35 73 30	"		33K Ω	"		
R421	30 00 00	HJ	35 81 00	"		100K Ω	"		
R422	30 00 00	HJ	35 65 60	"		5.6K Ω	"		
R423	30 00 00	HJ	35 61 00	"		1K Ω	"		
R424 R425	30 00 00	HJ	35 64 70	"		4.7K Ω	"		
R426	30 00 00	HJ	35 56 80	"		680 Ω	"		
R427 R428	30 00 00	HJ	35 52 20	"		220 Ω	"		
R429 R430	30 00 00	HJ	35 91 00	"		1M Ω	"		
R431 R432	30 00 00	HJ	35 54 70	"		470 Ω	"		
* R433 R434	30 00 00	HJ	35 48 20	"		82 Ω	"		
R435 R436	30 00 00	HJ	35 78 20	"		82K Ω	"		
R437 R438	30 00 00	HJ	35 83 30	"		330K Ω	"		

* : New Part (新部品)

Ref. No.	Part No.			Description	(部 品 名)	Remarks	Common Model	Markets
R439 R440	30 00 00	HJ	35 65 60	Carbon Resistor RD25 SM-8	5.6K Ω	カーボン抵抗		
R441 ~444	30 00 00	HJ	35 66 80	"	6.8K Ω	"		
R445 R446	30 00 00	HJ	35 71 80	"	18K Ω	"		
R447 ~450	30 00 00	HJ	35 92 20	"	2.2M Ω	"		
R451 R452	30 00 00	HJ	35 56 80	"	680 Ω	"		
R453 ~456	30 00 00	HJ	35 54 70	"	470 Ω	"		
R457 ~460	30 00 00	HJ	35 52 20	"	220 Ω	"		
R461 R462	30 00 00	HJ	35 51 80	"	180 Ω	"		
R463 ~466	30 00 00	HJ	35 52 70	"	270 Ω	"		
R467 R468	30 00 00	HJ	35 81 00	"	100K Ω	"		
R469 ~472	30 00 00	HJ	35 63 90	"	3.9K Ω	"		
R473 R474	30 00 00	HJ	35 66 80	"	6.8K Ω	"		
R475 R476	30 00 00	HJ	35 71 20	"	12K Ω	"		
R477	30 00 00	HJ	35 71 00	"	10K Ω	"		
R478 R479	30 00 00	HJ	35 63 30	"	3.3K Ω	"		
R480	30 00 00	HJ	35 71 00	"	10K Ω	"		
R481 R482	30 00 00	HJ	35 61 50	"	1.5K Ω	"		
R483	30 00 00	HJ	35 71 00	"	10K Ω	"		
R484	30 00 00	HJ	35 61 00	"	1K Ω	"		
R485	30 00 00	HJ	35 62 20	"	2.2K Ω	"		
R486	30 00 00	HJ	35 66 80	"	6.8K Ω	"		
R487	30 00 00	HJ	35 81 00	"	100K Ω	"		
R488 R489	30 00 00	HJ	35 64 70	"	4.7K Ω	"		
R490	30 00 00	HJ	35 56 80	"	680 Ω	"		
R491 ~494	30 00 00	HJ	35 64 70	"	4.7K Ω	"		
R495 R496	42 00 00	HJ	35 74 70	"	47K Ω	"		
R497 R498	30 00 00	HJ	35 92 20	"	2.2M Ω	"		
R499 R500	30 00 00	HV	35 52 20	Flame Proof Carbon Resistor	220 Ω	不燃化カーボン抵抗		
R501 R502	30 00 00	HV	35 42 20	"	22 Ω	"		
R503 R504	30 00 00	HJ	35 48 20	Carbon Resistor RD25 SM-8	82 Ω	カーボン抵抗		
R505 R506	30 00 00	HJ	35 74 70	"	47K Ω	"		
R507 R508	30 00 00	HU	07 58 20	Metal Film Resistor RE35	820 Ω	金属被膜抵抗		
R509	30 00 00	HV	35 42 20	Flame Proof Carbon Resistor	22 Ω	不燃化カーボン抵抗		
R511 R512	30 00 00	HJ	35 55 60	Carbon Resistor RD25 SM-8	560 Ω	カーボン抵抗		
R513 R514	30 00 00	HJ	35 72 20	"	22K Ω	"		
R515 R516	30 00 00	HJ	35 71 50	"	15K Ω	"		
R517 R518	30 00 00	HL	71 34 70	Metal Oxide Film Resistor 1P	4.7 Ω	酸化抵抗		
R519 R520	30 00 00	HM	85 41 00	Cement Molded Resistor RGB5PH 5P	10 Ω	セメント抵抗		
R521 R522	30 00 00	HL	71 41 00	Metal Oxide Film Resistor 1P	10 Ω	酸化抵抗		
R523	30 00 00	HJ	35 65 60	Carbon Resistor RD25 SM-8	5.6K Ω	カーボン抵抗		
R524	30 00 00	HJ	35 83 30	"	330K Ω	"		
R525	30 00 00	HJ	35 71 50	"	15K Ω	"		
R526	30 00 00	HV	35 53 90	Flame Proof Carbon Resistor	390 Ω	不燃化カーボン抵抗		
R527	30 00 00	HJ	35 64 70	Carbon Resistor RD25 SM-8	4.7K Ω	カーボン抵抗		
R528	30 00 00	HJ	35 63 30	"	3.3K Ω	"		
R529	30 00 00	HJ	35 65 60	"	5.6K Ω	"		
R530	30 00 00	HV	35 41 50	Flame Proof Carbon Resistor	15 Ω	不燃化カーボン抵抗		
R531	30 00 00	HV	35 61 80	"	1.8K Ω	"		
R532	30 00 00	HJ	35 63 90	Carbon Resistor RD25 SM-8	3.9K Ω	カーボン抵抗		
R533	30 00 00	HJ	35 71 20	"	12K Ω	"		
R534	30 00 00	HJ	35 71 50	"	15K Ω	"		
R535	30 00 00	HJ	35 61 80	"	1.8K Ω	"		

* New Part (新部品)

Ref. No.	Part No.				Description	(部 品 名)	Remarks	Common Model	Markets
	30 00 00	HJ	35 71 80						
R536	30 00 00	HJ	35 71 80		Carbon Resistor RD25 SM-8	18K Ω	カーボン抵抗		
R538	30 00 00	HJ	35 81 80		"	180K Ω	カーボン抵抗		
R539	30 00 00	HJ	35 71 50		"	15K Ω	"		
R542	30 00 00	HJ	35 76 80		Carbon Resistor RD25 SM-8	68K Ω	カーボン抵抗		
R543 R544	30 00 00	HJ	35 71 20		"	12K Ω	"		
R545	30 00 00	HJ	35 76 80		"	68K Ω	"		
R546 R547	30 00 00	HJ	35 65 60		"	5,6K Ω	"		
R548	30 00 00	HJ	35 71 00		"	10K Ω	"		
R549 ~551	30 00 00	HJ	35 81 00		"	100K Ω	"		
R552	30 00 00	HJ	35 73 90		"	39K Ω	"		
R553	30 00 00	HJ	35 71 50		"	15K Ω	"		
R554	30 00 00	HJ	35 81 00		"	100K Ω	"		
R555	30 00 00	HJ	35 74 70		"	47K Ω	"		
R556	30 00 00	HJ	35 71 50		"	15K Ω	"		
R557	30 00 00	HJ	35 82 20		"	220K Ω	"		
* R558	30 00 00	HL	73 54 70		Metal Oxide Film Resistor 3P	470 Ω	酸化抵抗		
R559	30 00 00	HJ	35 68 20		Carbon Resistor RD25 SM-8	8,2K Ω	カーボン抵抗		G, B
R560	30 00 00	HJ	35 72 20		"	22K Ω	"		G, B
R561	30 00 00	HJ	35 81 00		"	100K Ω	"		G, B
R562	30 00 00	HJ	35 71 80		"	18K Ω	"		G, B
R563	30 00 00	HJ	35 66 80		"	6,8K Ω	"		G, B
R564	30 00 00	HJ	35 71 00		"	10K Ω	"		G, B
R565	30 00 00	HJ	35 61 80		"	1,8K Ω	"		
R566	30 00 00	HJ	35 68 20		"	8,2K Ω	"		G, B
R567	30 00 00	HJ	35 82 20		"	220K Ω	"		G, B
R568	30 00 00	HJ	35 51 00		"	100 Ω	"		G, B
R569	30 00 00	HJ	35 81 80		"	180K Ω	"		G, B
R570 R571	30 00 00	HJ	35 82 20		"	220K Ω	"		G, B
R572	30 00 00	HJ	35 81 80		"	180K Ω	"		G, B
R573	30 00 00	HJ	35 61 80		"	1,8K Ω	"		
R575 R576	30 00 00	HJ	35 91 00		Carbon Resistor RD25 SM-8	1M Ω	カーボン抵抗		
R577 R578	30 00 00	HJ	35 81 00		"	100K Ω	"		
R583	30 00 00	HJ	35 72 20		Carbon Resistor	22K Ω	カーボン抵抗		G, B
* R584	30 00 00	HV	35 61 80		Flame Proof Carbon Resistor	1,8K Ω	不燃化カーボン抵抗		
* R585 R586	30 00 00	HV	35 56 80		"	680 Ω	"		
* VR401	30 00 00	HS	41 13 30		Variable Resistor CT	20KX2	VR16型(2連)	Bass	
* VR402	30 00 00	HS	41 13 50		" CT, with SW	20KX2	"	Presence	
* VR403	30 00 00	HS	41 13 30		" CT	20KX2	"	Treble	
* VR404	30 00 00	HS	41 13 60		" with Ground terminal	2KB	" (アース付き)	Spatial Expander	
VR406	30 00 00	HT	41 00 30		Semi Variable Resistor SR-19R	B2, 2K Ω	ソリッドVR		
VR407	30 00 00	HT	78 01 20		" KVSF8-9PNXB1M Ω		半固定VR		
Tr401	30 00 00	iD	04 00 00		Transister	2SD400	トランジスタ		
Tr402 Tr403	30 00 00	iB	05 44 00		"	2SB544	"		
Tr404	30 00 00	iC	19 83 00		Transistor	2SC1983	"		
Tr405	30 00 00	iC	15 09 30		"	2SC1509 (Q, R)	"		

* : New Part (新部品)

Ref. No.	Part No.		Description		(部 品 名)	Remarks	Common Model	Markets
Tr406 Tr407	30 00 00	iC 17 40 00	Transister	2SC1740 (R, S)	トランジスタ			
Tr406 Tr407	30 00 00	iC 23 20 10	"	2SC2320 (E, F)	"	Inter-changeable		
Tr408 ~410	30 00 00	iA 09 33 00	"	2SA933 (Q, R)	"	Inter-changeable		
"	30 00 00	iA 09 99 10	"	2SA999(E,F)	"			
Tr411	30 00 00	iC 19 83 00	"	2SC1983	"			
* Tr412	30 00 00	iA 07 77 30	"	2SA777 (Q, R)	"			
Tr413	30 00 00	iA 09 70 00	"	2SA970 (GR, BL)	"			G, B
Tr414 ~415	30 00 00	iA 09 33 00	"	2SA933 (Q, R)	"	Inter-changeable		G, B
"	30 00 00	iA 09 99 10	"	2SA999 (E, F)	"			G, B
D401 ~404	30 00 00	iF 00 00 40	Diode	1S1555	ダイオード	Inter-changeable		
"	30 00 00	iF 00 06 70	"	1S2473	"			
D405	30 00 00	iF 00 18 70	LED (Red)	SLR-54UW5	LED (赤)			
* D406 ~408	30 00 00	iF 00 19 90	LED (Green)	SLR-55GC5	" (緑)			
D409 D410	30 00 00	iF 00 14 00	Diode	1SS82	ダイオード			
D411 ~414	30 00 00	iF 00 00 40	"	1S1555	"	Inter-changeable		
"	30 00 00	iF 00 06 70	"	1S2473	"			
D415 D416	30 00 00	iF 00 14 00	"	1SS82	"			
D417 D418	30 00 00	iF 00 15 10	Zener Diode	HZ6C-1L	ツェナーダイオード			
* D419 D420	30 00 00	iH 00 11 00	Diode	S6K20	ダイオード			
D421 ~424	30 00 00	iF 00 14 00	"	1SS82	"			
D425	30 00 00	iH 00 02 40	"	1S1885	"	Inter-changeable		
"	30 00 00	iH 00 07 10	"	W06C	"			
D426 D427	30 00 00	iF 00 14 00	"	1SS82	"			G, B
D428	30 00 00	iF 00 00 40	"	1S1555	"	Inter-changeable		G, B
"	30 00 00	iF 00 06 70	"	1S2473	"			G, B
* D429	30 00 00	iF 00 20 80	Zener Diode	HZ16-3L	ツェナーダイオード			G, B
* D430	30 00 00	iF 00 30 40	"	HZ18-1L	"			G, B
D431	30 00 00	iH 00 02 40	Diode	1S1885	ダイオード	Inter-changeable		G, B
"	30 00 00	iH 00 07 10	"	W06C	"			G, B
IC401	30 00 00	iG 00 13 90	IC	NJM4558DV	IC			
IC402	30 00 00	iG 00 12 40	"	TC4011P	"			
IC403 ~406	30 00 00	iG 03 49 00	"	M5214L	IC			
IC407 IC408	30 00 00	iG 04 00 00	"	NJM4560	"			
IC409 ~411	30 00 00	iG 03 96 00	"	NJM4559	IC			
* IC412	30 00 00	iG 04 88 00	"	STK3156	"			
* IC413	30 00 00	iG 04 89 00	"	STK-7100	"			
IC414	30 00 00	iG 03 48 00	"	TA7317P	"			
SW401	30 00 00	KA 90 10 70	Remote Rotary Switch		リモートロータリーSW	REC OUT 4 circuit 6 point		
* SW402	30 00 00	KA 80 25 90	Push Switch		プッシュSW	INPUT 5 link Action		
SW403	30 00 00	LA 80 15 00	"		"	AUTO PHONO		
* SW404	30 00 00	KA 80 25 60	"		"	HIGH SUBSONIC FILTER 2 Multi Action		
* SW405	30 00 00	KA 80 25 70	"		"	SPATIAL EXPANDER COUPLER 2 Multi Action		
* SW406	30 00 00	KA 90 20 00	Remote Rotary Switch		リモートロータリーSW	SPEAKERS 4 circuit 5 point		
* RY401	30 00 00	KC 00 11 70	Relay	HB-2 DC12V	リレー			
RY402	30 00 00	KC 00 11 50	"	JC-2a DC24V	"			
PJ401	30 00 00	LB 40 08 10	Pin Jack	4P	ピンジャック			
* PJ402	30 00 00	LB 60 37 20	"	6P	"			
	30 00 00	LA 00 21 10	Wrapping Terminal i-Type P=5	2P	I型ラッピング端子板			

* : New Part (新部品)

Ref. No.	Part No.			Description	(部 品 名)	Remarks	Common Model	Markets
*	30 00 00	LA	00 34 20	Speaker Terminal (Gray, Black) 4P	SPターミナル, ワンロック			
*	30 00 00	LA	00 34 30	" 8P	"			
*	30 00 00	LB	00 30 30	Jumper Socket W-D0603 3P	ジャンパーソケット			
*	30 00 00	LB	00 30 40	" W-D0604 4P	"			
*	30 00 00	LB	00 30 50	" W-D0605 5P	"			
*	30 00 00	LB	20 13 90	Base Pin 2.5 mm Pitch B2P-SHF TE	2.5ピッチベースピン			
*	30 00 00	LB	60 39 60	Connector (Mail) 5271-06 6P	コネクタースペースポスト			
*	30 00 00	LB	90 40 50	Plug Connector L-Type 5P	コネクタープラグL型			G, B

* : New Part (新部品)

R-2000

Ref. No.	Part No.				Description	(部 品 名)	Remarks	Common Model	Markets
*	30 00 00	NA	07 58 60		Amplifier Circuit Board	アンプシールド			RAV
*	30 00 00	NA	07 58 70		"	"			UB
C701	30 00 00	UW	69 71 00		Electrolytic Capacitor 10 μ F 100V	ケミコン			
C702 C703	30 00 00	FH	61 12 20		Ceramic Capacitor 22PF	セラコン	CH-Type		
C704 C705	30 00 00	UW	86 62 20		Electrolytic Capacitor 2.2 μ F 50V	ケミコン			
C706 C707	30 00 00	FH	23 41 00		Ceramic Capacitor 0.01 μ F 500V (P)	セラコン			
C708 C709	30 00 00	FG	44 41 50		" 0.015 μ F 50V (Z)	"			
C710 C711	30 00 00	UA	65 51 00		Mylar Capacitor 0.1 μ F 50V (J)	マイラーコン			
C712 C713	30 00 00	FG	44 34 70		Ceramic Capacitor 0.0047 μ F 50V (Z)	セラコン			
R701	30 00 00	HV	35 61 80		Flame Proof Carbon Resistor RDF25SF 1.8K Ω	不燃化カーボン抵抗			
R702	30 00 00	HV	35 55 60		" 560 Ω	"			
R703 R704	30 00 00	HV	35 65 60		" 5.6K Ω	"			
R705	30 00 00	HV	35 55 60		" 560 Ω	"			
R706 R707	30 00 00	HV	35 66 80		" 6.8K Ω	"			
R708	30 00 00	HV	35 45 60		" 56 Ω	"			
R709 R710	30 00 00	HV	35 34 70		" 4.7 Ω	"			
R711 R712	30 00 00	HV	35 41 00		" 10 Ω	"			
R713 R714	30 00 00	HV	35 58 20		" 820 Ω	"			
R715	30 00 00	HZ	00 19 70		Dual Metal Plate Resistor MPC722 5P 0.22 x 2	デュアル金属板抵抗			
R716 R717	30 00 00	HV	35 61 00		Flame Proof Carbon Resistor RDF25SW 1K Ω	不燃化カーボン抵抗			
VR701	30 00 00	HT	41 01 60		Semi Variable Resistor, Solid SR-29R 82.2K Ω	ソリッドVR タテ形			
Tr701	30 00 00	iD	04 00 00		Transistor 2SD400	トランジスタ			
Tr702	30 00 00	iC	15 09 60		" 2SC1509	"			
Tr703	30 00 00	iA	07 77 60		" 2SA777	"			
Tr704	30 00 00	iX	00 00 70		" 2SC2912 (R, S)	"			
Tr705	30 00 00	iX	00 00 60		" 2SA1210 (R, S)	"			
Tr706	30 00 00	iC	22 38 20		" 2SC2238B (O, Y)	"			
Tr707	30 00 00	iA	09 68 20		" 2SA968B (O, Y)	"			
Tr708	30 00 00	iX	00 00 50		" 2SC2774 (Y, G)	"			
Tr709	30 00 00	iX	00 00 40		" 2SA1170 (Y, G)	"			
D701 D705	30 00 00	iF	00 00 40		Diode 1S1555	ダイオード	Inter-changeable		
"	30 00 00	iF	00 06 70		" 1S2473	"			
D706 D707	30 00 00	iF	00 07 90		Varistor MV12	バリスタ			
	30 00 00	iL	00 02 70		Mica Base	マイカーベース	TR706, 707		

* : New Part (新部品)

Ref. No.	Part No.				Description	(部 品 名)		Remarks	Common Model	Markets
* 30 00 00	NA	07 66 40	Control Circuit Board		コントロールシート				R, A	
* 30 00 00	NA	07 66 50	"		"				U, C	
30 00 00	NA	07 66 60	"		"				G, B	
C601	30 00 00	UW 81 74 70	Electrolytic Capacitor		47 μ F	6,3V	ケミコン			
C602 ~604	30 00 00	Fi 17 41 00	Ceramic Capacitor		0,01 μ F	25V	セラコン(円筒形)			
C605	30 00 00	UW 84 64 70	Electrolytic Capacitor		4,7 μ F	25V	ケミコン			
C606 C607	30 00 00	Fi 19 12 70	Ceramic Capacitor		27PF	50VCH (J)	セラコン			
C608	30 00 00	FG 44 41 00	"		0,01 μ F	50V (Z)	"			
C609	30 00 00	UW 86 62 20	Electrolytic Capacitor		2,2 μ F	50V	ケミコン			
C610	30 00 00	Fi 17 34 70	Ceramic Capacitor		0,0047 μ F	25V	セラコン			
* C611 C612	30 00 00	UA 55 44 70	Mylar Capacitor		0,047 μ F	50V (J)	TFコン			
* C613	30 00 00	UW 82 82 20	Electrolytic Capacitor		220 μ F	10V	ケミコン			
C614	30 00 00	UW 83 71 00	"		10 μ F	16V	"			
C615 C616	30 00 00	FG 44 41 00	Ceramic Capacitor		0,01 μ F	50V (Z)	セラコン			
C617	30 00 00	Fi 17 41 00	"		0,01 μ F	25V	"			
L601	30 00 00	GE 30 04 30	Inductor			220 μ H	円筒形インダクター			
R601	30 00 00	HJ 35 71 80	Carbon Resistor RD25		SM-8	18K Ω	カーボン抵抗			
R602	30 00 00	HJ 35 71 00	"		"	10K Ω	"			
R603	30 00 00	HJ 35 72 20	"		"	22K Ω	"			
R604	30 00 00	HJ 35 71 00	"		"	10K Ω	"			
R605	30 00 00	HJ 35 72 20	"		"	22K Ω	"			
R606	30 00 00	HJ 35 92 20	"		"	2,2M Ω	"			
* R607	30 00 00	HZ 00 19 20	Resistor Network		RM7-104J	100K x 7	抵抗ネットワーク			
R608 ~610	30 00 00	HJ 35 83 30	Carbon Resistor RD25		SM-8	330K Ω	カーボン抵抗			
R611	30 00 00	HJ 35 81 00	"		"	100K Ω	"			
R612	30 00 00	HJ 35 74 70	"		"	47K Ω	"			
R613	30 00 00	HJ 35 54 70	"		"	470 Ω	"			
R614	30 00 00	HZ 00 18 10	Resistor Network		LZ10PZ	R=2R R=10K	ラダー抵抗		R-1000	
"	30 00 00	HZ 00 18 20	"		20B-12X-ME1	"	"	Inter- changeable	"	
"	30 00 00	HZ 00 21 80	"		L010D	"	"	"	"	
"	30 00 00	HZ 00 21 90	"		EXK-S10L0010	"	"	"	"	
R615	30 00 00	HJ 35 75 60	Carbon Resistor RD25		SM-8	56K Ω	カーボン抵抗			
R616 ~618	30 00 00	HJ 35 92 20	"		"	2,2M Ω	"			
R619	30 00 00	HJ 35 71 20	"		"	12K Ω	"			
R620	30 00 00	HJ 35 71 00	"		"	10K Ω	"			
R621	30 00 00	HJ 35 62 20	"		"	2,2K Ω	"			
R622	30 00 00	HJ 35 73 30	"		"	33K Ω	"			
R623	30 00 00	HJ 35 61 80	"		"	1,8K Ω	"			
R624	30 00 00	HJ 35 61 20	"		"	1,2K Ω	"			
* R625 ~628	30 00 00	HM 53 52 70	Cement Molded Resistor		MO-4S 3P	330 Ω	セメント抵抗			
* R629	30 00 00	HZ 00 18 90	Resistor Network		RM-5-102J	1K x 5	抵抗ネットワーク			
R630	30 00 00	HJ 35 72 20	Carbon Resistor RD25		SM-8	22K Ω	カーボン抵抗		U, C	
R631 R632	30 00 00	HJ 35 71 00	"		"	10K Ω	"			
VR601 VR602	30 00 00	HT 37 00 20	Semi Variable Resistor		EVN-K4A	B10K	半固定VR	Inter- changeable		
"	30 00 00	HT 77 00 60	"		KVSF8-7PNFX	B10K	"	"		
VR603	30 00 00	HT 37 00 80	"		EVN-K4A	B20K	"	Inter- changeable		
"	30 00 00	HT 77 00 70	"		KVSF8-7PNFX	B20K	"	"		
VR604	30 00 00	HT 37 00 70	"		EVN-K4A	B3K	"	Inter- changeable		
* "	30 00 00	HT 77 01 40	"		KVSF8-7PNFX	B3K	"	"		

* : New Part (新部品)

R-2000

Ref. No.	Part No.				Description	(部 品 名)	Remarks	Common Model	Markets
* VR605	30 00 00	HY	00 11 70	Variable Resistor	60K x 2 +5K x 2	ミニティテントVR			
Tr601 ~604	30 00 00	iC	23 20 10	Transistor	2SC2320 (E, F)	トランジスタ	Inter- changeable		
"	30 00 00	iC	17 40 00	"	2SC1740 (R, S)	"			
D601	30 00 00	iF	00 06 70	Diode	1S2473	タイオード	Inter- changeable		
"	30 00 00	iF	00 00 40	"	1S1555	"			
* D602	30 00 00	iF	00 29 90	Zener Diode	HZ7B-1L	ツェナーダイオード			
D603 D604	30 00 00	iF	00 06 70	Diode	1S2473	タイオード	Inter- changeable		
"	30 00 00	iF	00 00 40	"	1S1555	"			
* D605	30 00 00	iF	00 30 00	Zener Diode	HZ6A-1L	ツェナーダイオード			
D606 ~612	30 00 00	iF	00 23 70	L.E.D. (Green)	SLR-34GC	LED			
* D613	30 00 00	iF	00 29 40	" Meter Assembly	LS-011	LEDメーターブロック			
IC601	30 00 00	iG	04 79 00	IC	LC7258	IC			
IC602	30 00 00	iG	04 14 00	"	M54459L	"			
* IC603	30 00 00	iG	00 12 40	"	TC4011P	"			
IC604	30 00 00	iG	04 15 00	"	LC7207	"			
IC605	30 00 00	iG	04 68 00	"	BA6104	"			
V601	30 00 00	iJ	00 00 30	Indicator	FIP7D8S	蛍光表示管			
SW601 ~607	30 00 00	KA	90 16 60	Tact Switch	KHC10902	タクトSW			
* SW608 ~614	30 00 00	KA	90 16 20	"	KHC10901	"			
JK601 JK602	30 00 00	LB	30 13 60	Headphones Jack		ホーンジャック			
* BT601	30 00 00	PC	60 00 80	Battery	G850-3	ニッカド電池			
XL601	30 00 00	QU	00 05 00	Crystal Quarts Unit	NC-18C 4MHZ	水晶振動子			
	30 00 00	LA	00 21 10	Wrapping Terminal i-Type	P=5 2P	I型ラッピング端子板			
	30 00 00	LA	00 23 30	"	P=7,5 4P	"			
*	30 00 00	AA	60 63 30	Holder, Counter		カウンターホルダー			
*	30 00 00	CB	60 33 50	Soft Tape		ソフトテープ	for LED Meter Block		

* : New Part (新部品)

Ref. No.	Part No.			Description	(部 品 名)	Remarks	Common Model	Markets
*	30 00 00	NA	07 68 30	Electrolytic Capacitor Circuit Board	ケミコンシート			R, A
*	30 00 00	NA	07 68 40	"	"			U, C
*	30 00 00	NA	07 68 50	"	"			G, B
	C751	30 00 00	FG 44 41 00	Ceramic Capacitor 0,01 μ F 50V (Z)	セラコン			
	C752	30 00 00	UW 84 91 00	Electrolytic Capacitor 1000 μ F 25V	ケミコン			
	C754	30 00 00	UW 83 82 20	Electrolytic Capacitor 220 μ F 16V	ケミコン			
	C755 ~ 756	30 00 00	FH 23 41 00	Ceramic Capacitor 0,01 μ F 500V (P)	セラコン			
	C757	30 00 00	FZ 00 06 80	Metalized Mylar Capacitor 0,1 μ F 250V	M.M.コン			
	C758 C759	30 00 00	FZ 00 25 40	Electrolytic Capacitor 6800 μ F 50V	ブロックケミコン			
*	C760 C761	30 00 00	FZ 00 25 20	" 12000 μ F 80V	"			
	R751 R752	30 00 00	HJ 35 61 00	Carbon Resistor RD25 SM-8 1K Ω	カーボン抵抗			
	R753	30 00 00	HJ 35 81 00	" " 100K Ω	"			
	R754	30 00 00	HJ 35 71 00	" " 10K Ω	"			
*	R755	30 00 00	HL 52 73 30	Metal Oxide Film Resistor 2PF 33K Ω	酸化抵抗			
	Tr751	30 00 00	iC 19 83 00	Transistor 2SC1983	トランジスタ			
	D751	30 00 00	iH 00 08 10	Bridge Diode 1B4B41	ダイオードブリッジ			
*	D752	30 00 00	iF 00 30 20	Zener Diode HZ12B3L	ツェナーダイオード			
*	D753	30 00 00	iH 00 10 10	Bridge Diode RB602 6A 200V	ダイオードブリッジ			
	D754	30 00 00	iH 00 02 40	Diode 1S1885	ダイオード	Inter- changeable		
	"	30 00 00	iH 00 07 10	" W06C	"			
*	D755	30 00 00	iH 00 10 10	Bridge Diode RB602 6A 200V	ダイオードブリッジ			
	F751	30 00 00	KB 00 03 30	Fuse T1,0A 250V	ヒューズ			R, A
	"	30 00 00	KB 00 07 20	" $\text{\textcircled{S}}$ T800mA 250V	"			G, B
	"	30 00 00	KB 00 10 20	" UL SS-2 1,0A 250V	"			U, C
		30 00 00	LA 00 20 00	Wrapping Terminal i-Type P=7,5 2P	i型ラッピング端子板			
		30 00 00	LA 00 21 40	" P=10 2P	"			
		30 00 00	LA 00 23 20	" P=7,5 3P	"			
		30 00 00	LB 20 09 00	Fuse Holder Pin PC YSH402P	ヒューズホルダーピン			R, U, A, C
		30 00 00	LB 20 10 60	" YSH403T	"			G, B

* : New Part (新部品)